

RACK MOUNT INTERCONNECT CENTER (RIC)

Siemon's Rack Mount Interconnect Center provides the best overall value for fiber management available. The RIC3 enclosure offers superior fiber density (up to 288 fibers in just 4 RMS) without sacrificing fiber protection and accessibility. Key features include a fully removable tray, improved labeling, standard front and rear door locks, and single-finger door latches. With superior cable management, port identification, fiber accessibility and security, the RIC3 is the best way to protect mission critical fiber connections.



PATENTED

FIBER PRODUCTS

Management tray has a positive stop in both front and rear working positions providing complete access to patch cords/connectors for moving adding, changing, or cleaning of fibers

The RIC3 enables a maximum amount of fibers to be patched or patched and spliced in a 2, 3, and 4 RMS enclosure without compromising the accessibility. This allows more efficient utilization of rack space

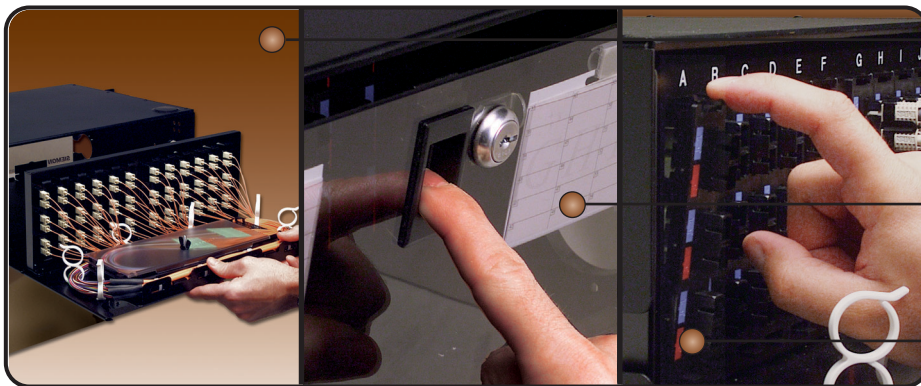


Rotating grommets facilitate loading and retention of jumpers and fiber while minimizing microbending stress when using the sliding tray

Dual-level cable managers provide independent levels for routing fibers

Spring loaded quick-release hinges enable easy removal of front and rear doors for complete access to fiber connections

Label virtually any port configuration with our hinged labels. The labels hang on the front door for improved visibility. When the door is opened, labels flip down allowing ready viewing of the label and corresponding ports.



The RIC3 cable management tray is completely removable from the front or rear of the enclosure, allowing the entire tray to be moved to a work table for more convenient loading of adapter plates, pigtails and splice trays

The RIC3 features a single-finger latch on both front and rear doors. Included door locks prevent unauthorized access for enhanced security

Never fumble with clumsy nylatches in a densely packed fiber enclosure again! Siemon Quick-Pack™ Adapter Plates can be inserted or removed with a single-finger for quick and easy access to fiber even in fully loaded enclosure

REAR VIEW RIC 72

FIBER PRODUCTS

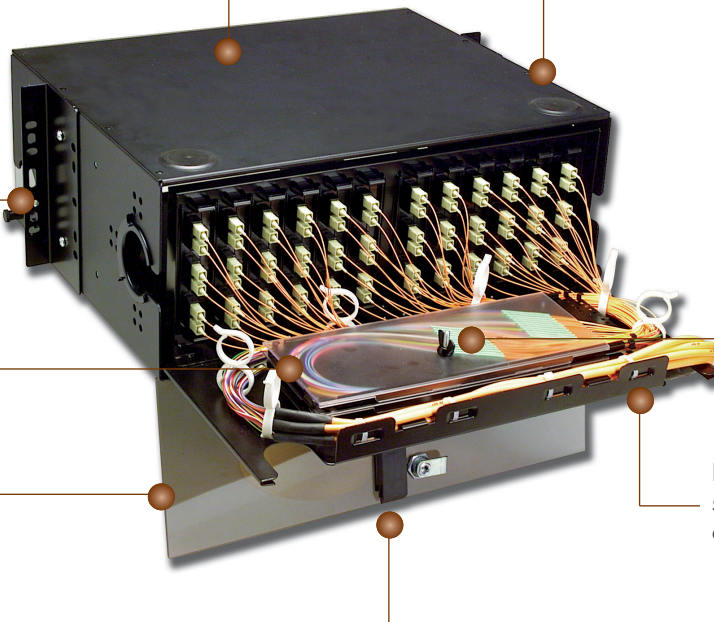
Enclosure is made of 14 gauge aluminum and cover is made of 18 gauge steel with a black texture durable finish

Top and bottom access holes located at the rear of the enclosure allow fibers to be routed between tandem enclosures without having to run fibers outside of enclosure

Rack mounting brackets accommodate 19 or 23 inch racks and can be attached at either of 3 horizontal positions

Removable fiber management clips facilitate the routing and storing of slack fiber

All plastic components meet UL94V-0 flammability rating



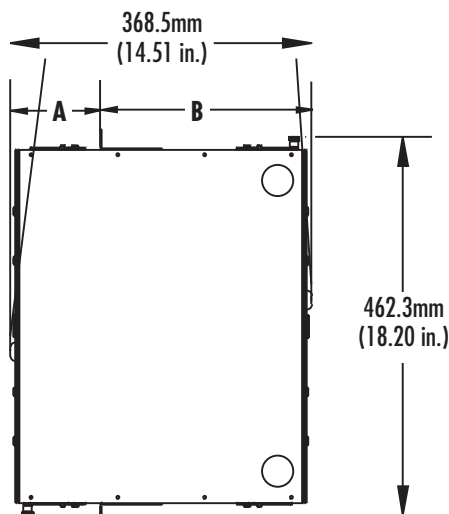
Center post attaches to tray for securing splice trays

Lance tabs provided for securing incoming cable to tray

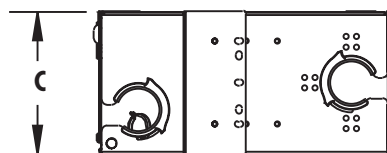
Front and rear doors are secured by a single, low profile "slam" latch

Shown with brackets in position for mounting onto a 19 inch rack

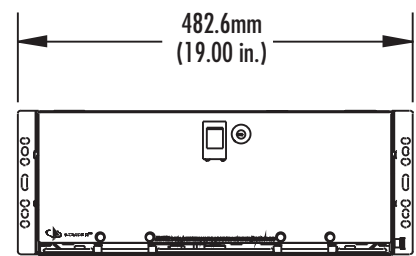
RIC3	A		B		C	
Part No.	mm	in.	mm	in.	mm	in.
RIC24, RIC36	109.7	(4.32)	258.8	(10.19)	85.7	(3.38)
RIC48	147.8	(5.82)	220.7	(8.69)	130.2	(5.13)
RIC72	185.9	(7.32)	182.6	(7.15)	174.6	(6.88)



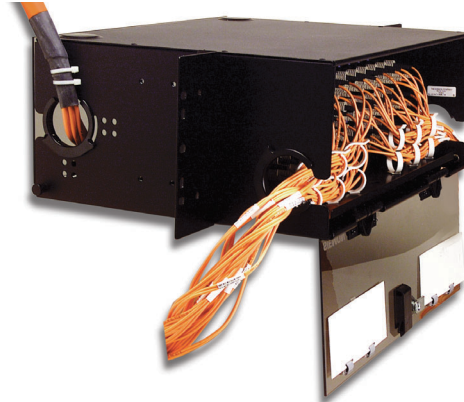
Top View



Side View



Front View



RIC3-24-0124- to 96-port Rack Mount Interconnect Center, 2 RMS, black



RIC3-36-0136- to 144-port Rack Mount Interconnect Center, 2 RMS, black



RIC3-48-0148- to 192-port Rack Mount Interconnect Center, 3 RMS, black



RIC3-72-0172- to 288-port Rack Mount Interconnect Center, 4 RMS, black

Note: 1 RMS = 44.5 (1.75 in.)

All Rack Mount Interconnect Centers include printable labels*, cable ties, rack mounting hardware, and pre-installed fiber management clips. *Visit our web site or contact our Technical Support Department for labeling software

RIC3 Fiber Capacity

Fiber Count per Quick-Pack™	RIC3 Fiber Capacity				
	Adapter Options	RIC 24	RIC 36	RIC 48	RIC 72
6	ST, SC, ST/SC, FC	24	36	48	72
8	ST, SC, ST/SC, FC	32	48	64	96
12	ST, SC, MT-RJ, LC	48	72	96	144
16	MT-RJ, LC	64	96	128	192
24	MT-RJ, LC	96	144	192	288
	Splice Type	RIC 24	RIC 36	RIC 48	RIC 72
	FUSION	96	96	96	144
	MECHANICAL	48	48	48	72

RELATED PRODUCTS

FIBER PRODUCTS

Flat Quick-Pack™ Adapter Plates:

Siemon Quick-Pack adapter plates feature a patent pending integrated latch, which provides single-finger access to fiber even in fully populated enclosures. Choose from our wide variety of singlemode and multimode plate options.

RIC-F-SC6-01
3 duplex SC adapters
(6 fibers)



RIC-F-SC8-01
4 duplex SC adapters
(8 fibers)



RIC-F-SC12-01
6 duplex SC adapters
(12 fibers)



RIC-F-SA6-01
3 duplex ST adapters
(6 fibers)



RIC-F-SA8-01
4 duplex ST adapters
(8 fibers)



RIC-F-SA12-01
6 duplex ST adapters
(12 fibers)
*Only recommended
for push-pull design
connectors due to access
constraints*



RIC-F-LC12-01
6 duplex LC adapters
(12 fibers), beige
adapters



RIC-F-LC16-01
4 quad LC adapters
(16 fibers), beige
adapters



RIC-F-LC24-01
6 quad LC adapters
(24 fibers), beige
adapters



RIC-F-LCU12-01
6 duplex LC adapters
(12 fibers), blue adapters
(not shown)



RIC-F-LCU16-01
4 quad LC adapters
(16 fibers), blue adapters
(not shown)



RIC-F-LCU24-01
6 quad LC adapters
(24 fibers), blue adapters
(not shown)



RIC-F-MT12-01
6 duplex MT-RJ adapters
(12 fibers)



RIC-F-MT16-01
8 duplex MT-RJ adapters
(16 fibers)



RIC-F-MT24-01
12 duplex MT-RJ adapters
(24 fibers)



RIC-F-AC6-01
3 duplex ST-SC adapters
(6 fibers, front side = SC)



RIC-F-FC6-01
6 FC adapters (6 fibers)



RIC-F-BLNK-01
Blank adapter plate



RIC-F-AC8-01
4 duplex ST-SC adapters
(8 fibers, front side = SC)
(not shown)



RIC-F-FC8-01
8 FC adapters (8 fibers)
(not shown)



Each adapter plate with icon pockets includes red, blue, black, and clear icons with paper labels.
All SC and ST adapters are "universal" to support multimode and singlemode

Because we continuously improve our products, The Siemon Company reserves the right to change specifications and availability without prior notice.
Quick-Pack™ is a trademark of Siemon

For related product information request Spec Sheet(s):
Fiber Storage Center (PROD-SS-FSC)
Fiber Optic Splicing Products (PROD-SS-FSP)

The Americas
Watertown, CT USA
Phone (1) 860 945 4200

Europe/Middle East/Africa
Surrey, England
Phone (44) 0 1932 571771

Asia/Pacific
Shanghai, P.R. China
Phone (86) 21 6390 6778

PROD-SS-RIC Rev. J 3/05

© 2005 Siemon

WWW.SIEMON.COM

ISO 9001
CERTIFIED

ISO 14001
CERTIFIED

